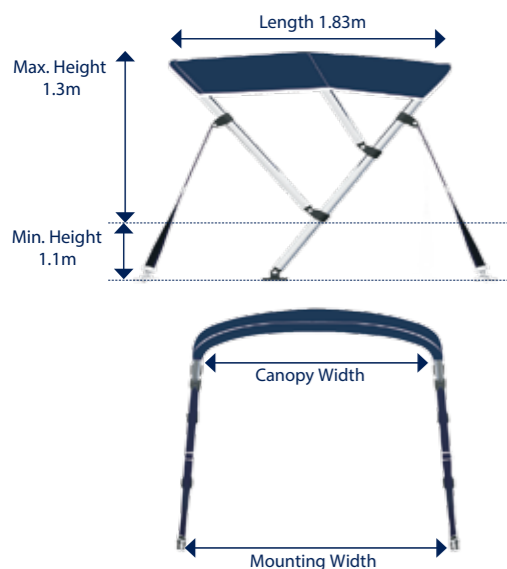
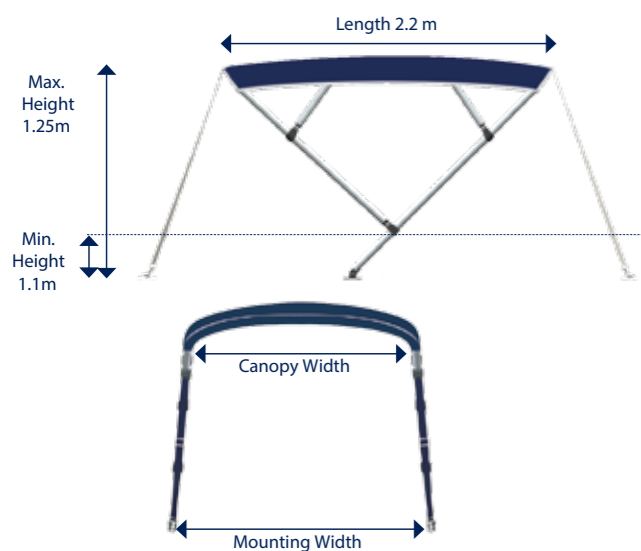


**BIMINI SIZES**  
Construction of the Bimini.

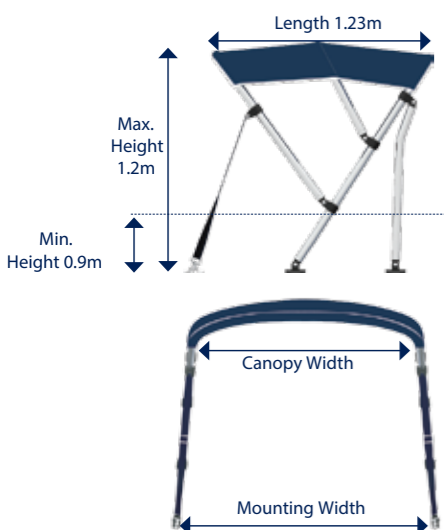
**3 Bow Bimini**



**4 Bow Bimini**



**Whitewater Bimini**



**BIMINI ACCESSORIES**  
Recommended optional extras

**Support Poles**

Supports are custom designed for Oceansouth Biminis to help stabilize and strengthen, especially when used in strong winds.

Support poles are available as fixed or telescopic and come complete with knuckles and bases, for quick fitting.

CODE	TYPE	SIZE
MA 051 - 3	Telescopic	700-1250mm
MA 051 - 4	Fixed Length	1100mm



IDEAL BIMINI  
MA 062, MA 063 series  
MA 062, MA 063 series

**Screws and fittings**

Thumb screws are designed for easy adjusting and are a convenient replacement for 1/4 inch screws.



**Alternative mounts**

The rubber base for inflatable boats (when used with special adhesive) provides easy alternative mounting.

BASE FOR INFLATABLE BOATS (50390)



**Additional or replacement components**

For additional components, please contact your place of purchase with the name and/or code of any parts you require



All optional accessories are available from Coverworld



**BIMINI**  
3&4BOW&Whitewater  
Assembly Instructions



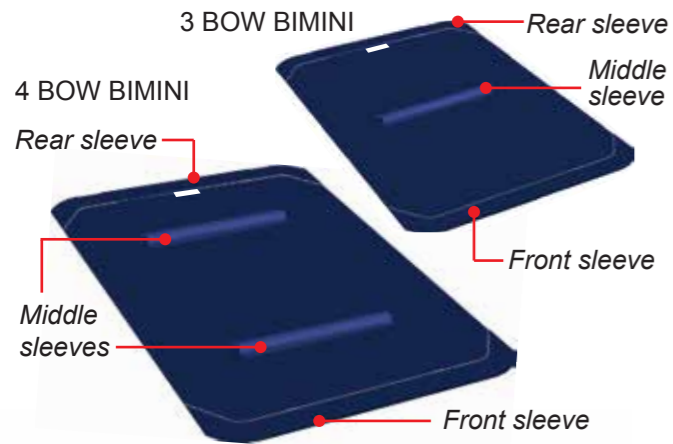
**BIMINI KIT CONTENTS**  
Parts and components checklist

Component	Quantity		
	3 BOW	4 BOW	WW
 <b>3 Bow Uprights</b> Polished bright finish 25mm aluminium tube	2		
 <b>4 Bow Uprights</b> Polished bright finish 25mm aluminium tube		2	
 <b>Whitewater Uprights</b> Polished bright finish 25mm aluminium tube			2
 <b>Crossbars</b> Polished bright finish 25mm aluminium tube	3	4	3
 <b>Tube ends</b> High grade polymer insert.	2	2	2
 <b>Saddles</b> Stainless Steel mount.	4	4	2
 <b>Deck Mounts</b> High polymer grade mount w/screw.	2	2	4
 <b>Fabric</b> Polyester marine fabric.	1	1	1
 <b>Webbing Adjusters</b> Stainless Steel fastener,	4	4	2
 <b>Snap Hooks</b> Stainless Steel fastener,	4	4	2

**STEP ONE**

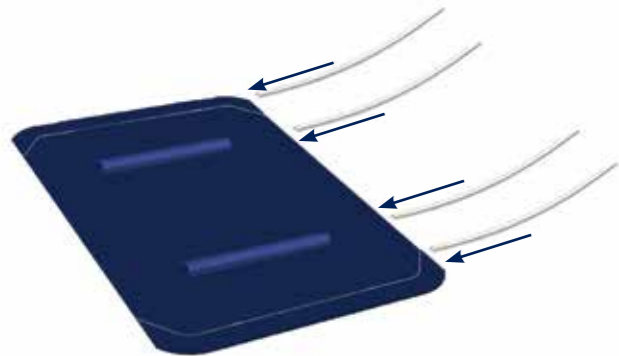
Lay fabric flat upside-down, sleeves up.

\* Identify the front and rear sleeves. Sewn in tag indicates rear sleeve. The longest arm of the uprights must run through the rear sleeve.



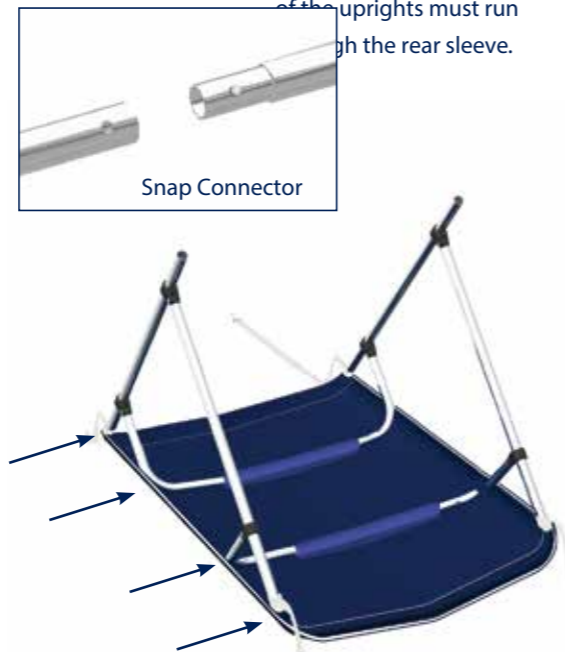
**STEP TWO**

Insert the crossbars into the fabric sleeves.



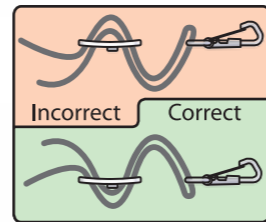
**STEP THREE**

Snap the frame into the crossbars via the connectors, then slide into the fabric. Note: The longest arm of the uprights must run through the rear sleeve.

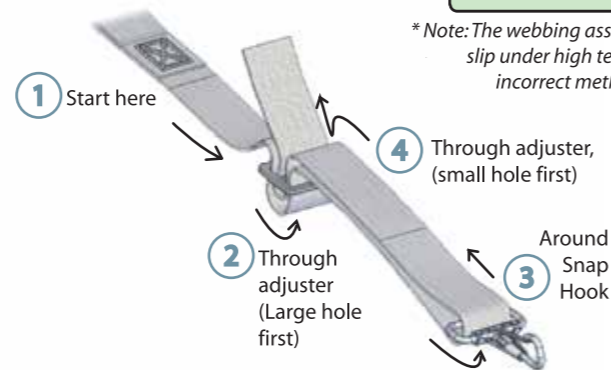


**STEP FOUR**

Assemble the webbing with the adjuster and snap hook.



\* Note: The webbing assembly may slip under high tension if the incorrect method is used.



\* note webbing straps are now already mounted onto the Bimini Frame

**STEP FIVE**

Flip the Bimini and mount to vessel as advised in mounting instructions.



**TRIMMING**

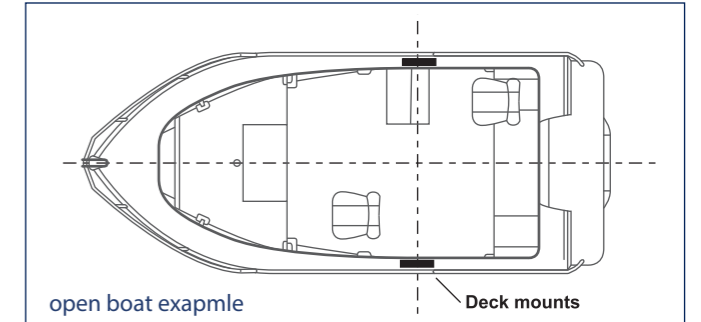
The bimini is now assembled. Before mounting, you can trim the bimini for optimal height.

Trimming the bimini and reducing the height may significantly increase stability.

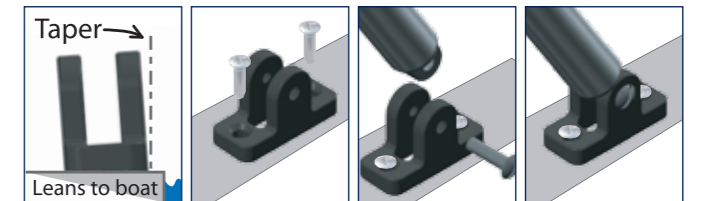
Measure the distance between the gunwale and floor of your vessel and trim the uprights to size for optimal height.

Once trimmed, insert tube ends. Only secure once mounted on vessel.

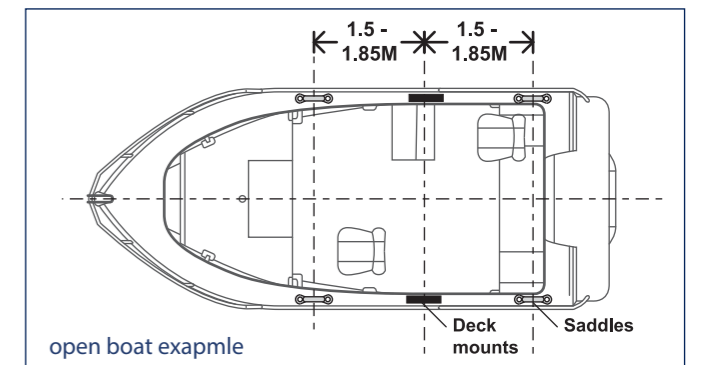
1. Locate where the Bimini deck mounts will be placed.
2. Measure and confirm the marks for the deck mounts to make sure they are exactly opposite each other, in parallel. If not parallel, the top may appear unbalanced.



3. Drill and secure the deck mounts using suitable hardware (not supplied) such as 6mm or 1/4" countersunk bolts (depending on your craft). (Note the taper on the deck mounts, ensure they lean inwards to match the Bimini frame).
4. Place Bimini on deck mounts as shown.



5. Use the same method to install saddles. Distance between the deck mounts and saddles depends on personal preference, but they must be between 1.5m - 1.85m as shown...



6. Drill and secure the saddles using suitable hardware (not supplied) - depending on your craft or preference.
7. Secure all ends to the deck and tighten all the webbing on fabric to complete your Bimini!



NOTE: Make sure all set screws are tight. Ensure webbing straps are equal length and in strong tension.



All optional accessories are available from Coverworld